

CRAZY INVENTIONS PROJECT:

"The Compendium of Crazy Inventions"

www.visitboomtown.com (go to The Boomtown School section)

Summary:

Students will design their own invention. It must be "practical" and "sellable" (within reason).

Main Curriculum Tie:

Science: 4th-6th Grade

Materials:

Students may need to do research using their Science book, Internet, encyclopedias, library books, etc. They will also need lined paper for the written portion of the assignment (or type written), drawing tools (pencils, pens, crayons, etc.) and blank 8.5x11" paper. Or, for the more ambitious teacher/class, consider BUILDING the invention!

Background For Teachers:

Visit "*The Boomtown School*" area of the www.visitboomtown.com website and review "Crazy Inventions". Read "Boomtown" by Nowen N. Particular, the book from which the assignment is drawn.

Instructional Procedures:

First Class Period

1. Read Chapter 9-10 of "Boomtown" in class (as background). Go to www.visitboomtown.com for ordering information.
2. Hand out the attached sample of a completed assignment (i.e. Sky Camper).
3. Explain the assignment (draw your invention and write out a description, etc.) The description should include at least the following: Name of Invention and Inventor, Purpose of the Invention, Physical Description, Function, Market Potential (who might buy it), Sale Price.
4. Recommend giving students 1 week for research and to complete the drawing/writing. More if the assignment includes building the project.

Second Class Period

1. Allow students one class period for research/drawing/writing.

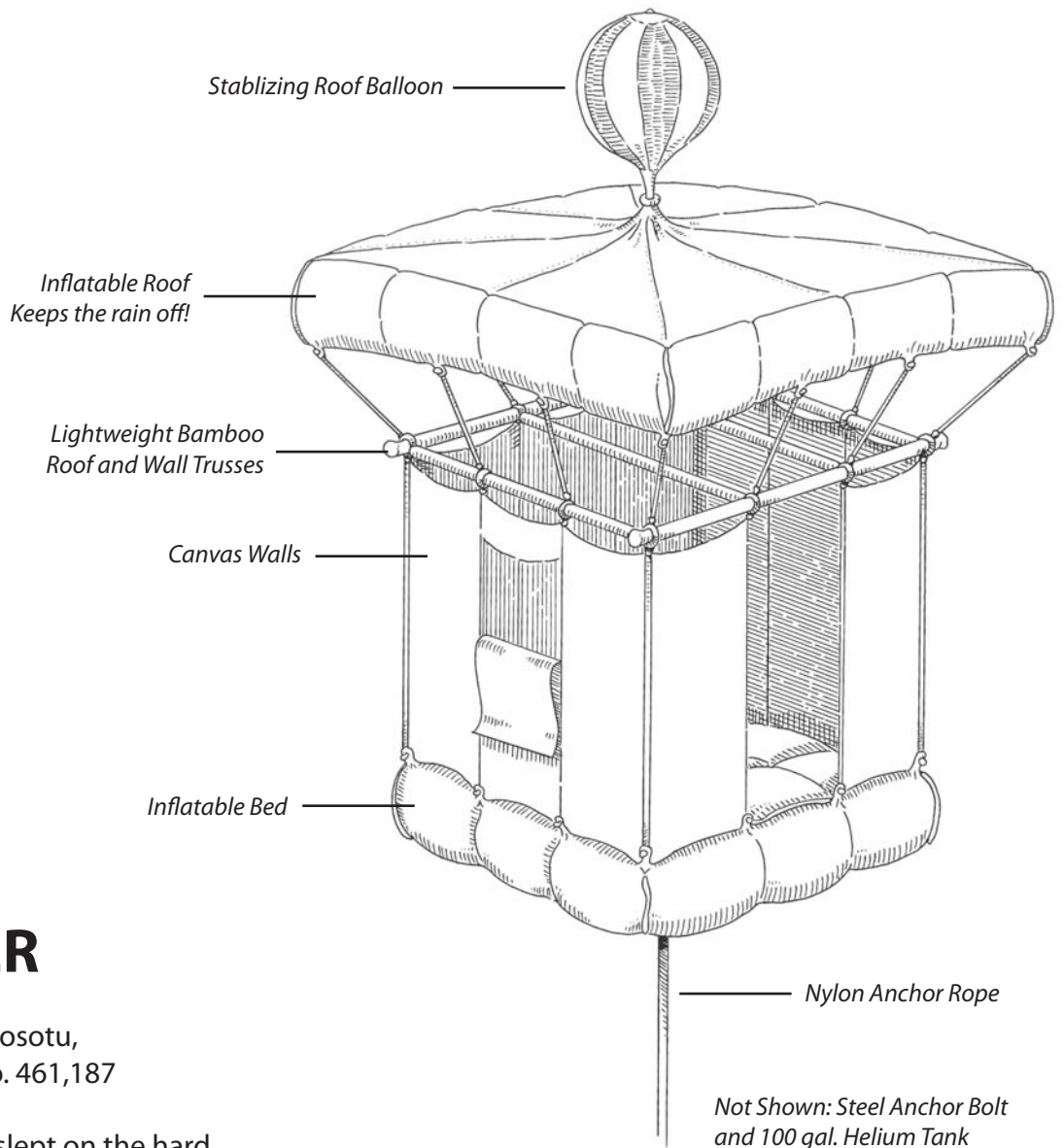
Third/Fourth Class Period

1. Have students give a 3-minute report about their invention.

Assessment Plan:

Students will be graded on creativity, time and effort, and presentation.

The assignments can be displayed in the classroom and hopefully, the best of them scanned and sent to boomtownschool@visitboomtown.com



SKY CAMPER

Invented By: Dr. Mfana Losotu,
Patented 1907, Patent No. 461,187

Purpose: Have you ever slept on the hard ground in a leaky canvas tent? Or had difficulty finding the perfect camping spot? Not anymore! Not only is the Sky Camper the most comfortable bed you've ever slept on, it rocks you gently to sleep in the evening breeze AND it gives you the most spectacular view you've ever seen!

Description: Three sections (bed, roof and roof balloon) constructed of puncture-proof rubber. 100 gallon rechargeable helium tank. Bamboo roof truss, extra-strong nylon rope stays and canvas walls. Tethered on retractable nylon anchor rope and steel anchor bolt. Total approx. weight (without tank), 17 pounds. Comes with its own nylon carrying case.

Function: Simply lay the Sky Camper flat on the ground. Screw the steel anchor bolt firmly into the ground or tie off the anchor rope to a stump or heavy object. Inflate the roof balloon, then the roof, and finally the bed. As the roof inflates, the canvas sleeping chamber will automatically unfold. Ascend and descend by pulling on the tether rope. Not recommended for use during stormy weather!

Market Potential: Perfect for tent campers everywhere who are looking for the next, great camping experience!

Suggested Retail Price: \$243.95 (plus \$24.95 for the rechargeable helium tank).